

3-in-1. Done.

With the power of versatility,
Henke's Folding V configures to your needs.



Find what we have for you.
888.682.9010 • www.henkemfg.com

HENKE 



3070 Wilson, Leavenworth, KS 66048
 913.682.9000 • 888.682.9010
 913.682.0300 (Fax)

Visit us at henkemfg.com

Designed for Versatility, Engineered for Durability.

The Henke Folding Vee Plow is a Heavy Duty, Multi-Directional Dozer Blade for extreme duty use on wheel loaders and motor graders. Designed specifically to accept machine down-pressure from wheel loader arms or Henke motor grader parallel lift groups. Wheels*, paired with skid shoes, make the FV ideal for gravel and dirt surfaces - allowing the cutting edge to hover just above the road.

SPECIFICATIONS

Box Reinforced

Full Length 7" x 22.7#/ft S&C Center Channel

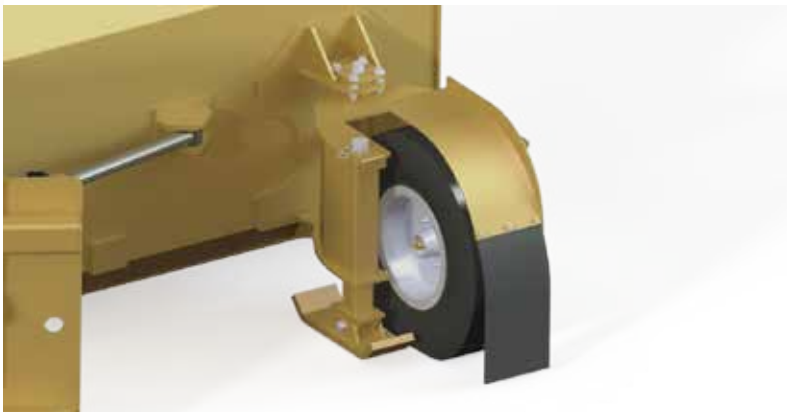
5.0" Center Pin Assembly of 1" DOM and a 3.0" Solid Steel, Cold Rolled Center Pin

Blade 48"H x 144"W x 130" Vee x 124" Angle

Weight: Approx. 3,970lbs as shown

12', 14', 16' Lengths

47" tall Moldboard

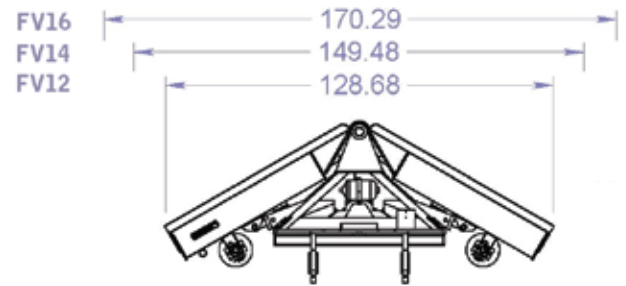


Wheels and Skid Shoes

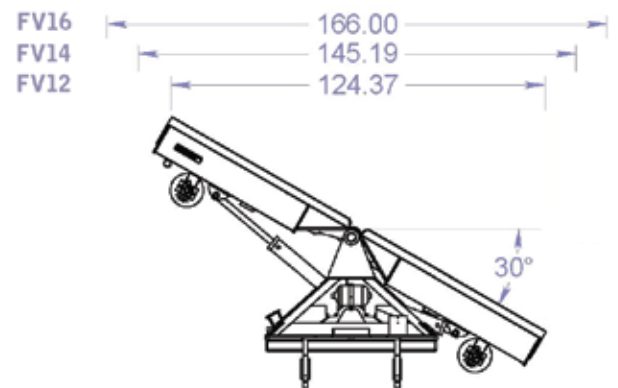
FV14 with pneumatic wheels and extension shields (shown)

• Weight: Approx 5,800lbs

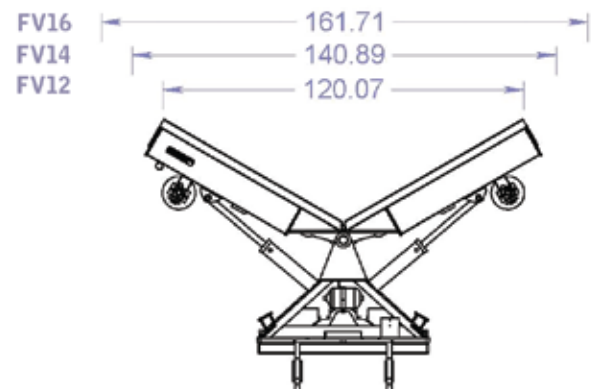
*Wheels available only on 14' and 16' models.



Vee



Reversed Right



Scoop

Supporting You.

While you're out there keeping roads safe, Henke's got your back with knowledgeable support for each of our plows.