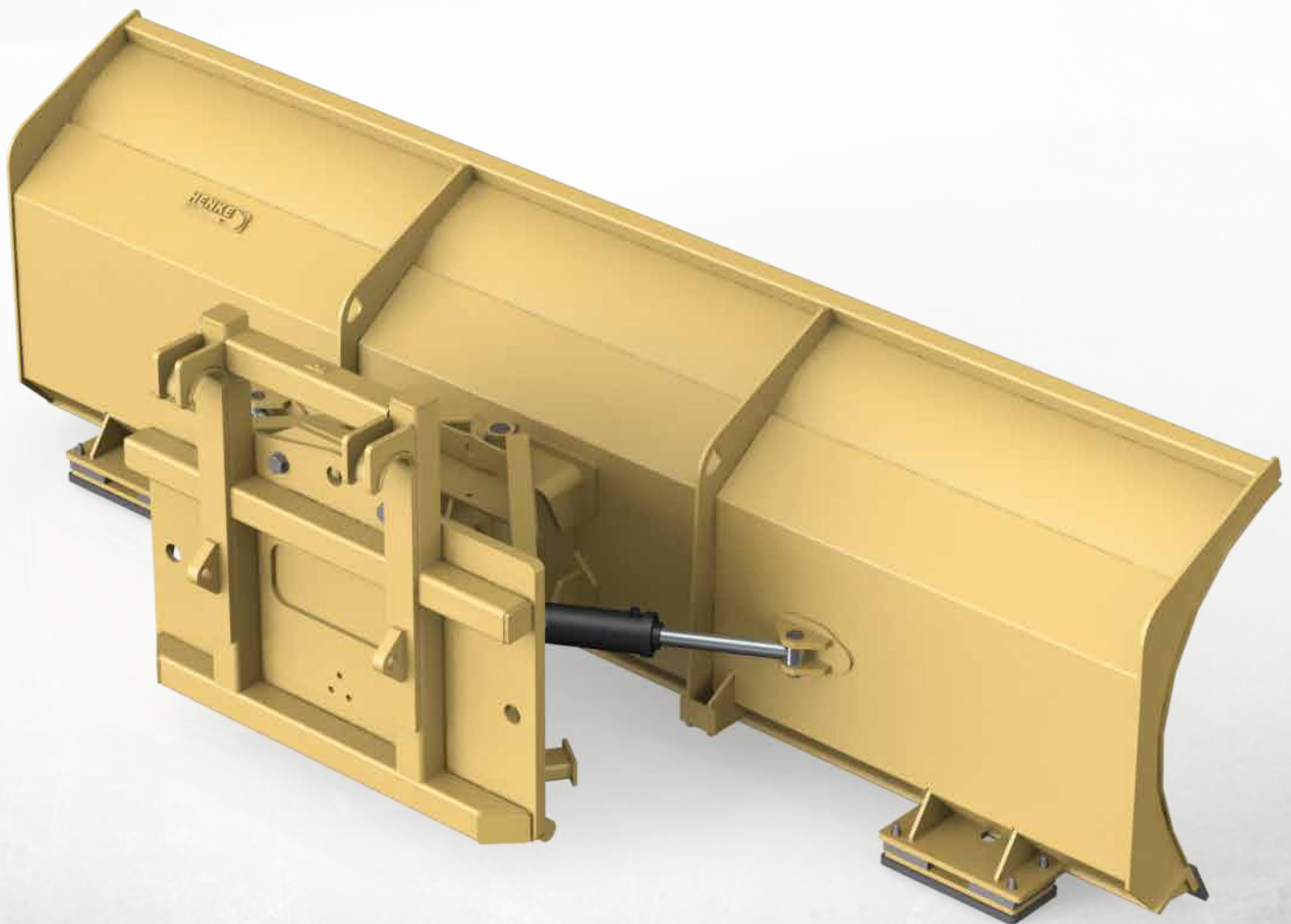


All Year Strong.

Henke's Severe-Duty Dozer Blade can handle whatever the season throws its way.



Find what we have for you.
888.682.9010 • www.henkemfg.com



Year-round dozer blade for maximum versatility

The Severe Duty Dozer Plow is a heavy-duty, high curvature, box panel reinforced dozer blade for use on wheel loaders and motor graders.

- Extreme moldboard “curl” prevents snow from blowing over top of moldboard.
- Reinforced dozer blade for use on wheel loaders and motor graders.
- Year round use – Dozer blade can be used in summer as well as winter, enabling you to get maximum versatility from both machine and attachment.
- Powerful hydraulic reversing cylinders allow operators to reverse with power, under virtually any conditions!



SDDB 12 with Balderson Style Hooks – Side View



SDDB 12 with Balderson Style Hooks – Front View

SPECIFICATIONS

Dimensions: 48” tall x 10ft, 11ft, 12ft, or 14ft wide

Weight: 3700 – 4000 lbs

48” tall, box reinforced, ¼” thick, rolled plate steel moldboard

Two (2) 4” x 20 ¾” double acting hydraulic cylinders provide up to 35° rotation left or right.

A-Frame constructed with heavy 4” ship and car channel and ¾” steel plate”

Supporting You.

While you're out there keeping roads safe, Henke's got your back with knowledgeable support for each of our products.